

# **OTAL Terminal Board And Lamp Assembly**

**User Guide # S2-61145-100**



### Standard Limited Hardware Warranty

**LIMITED WARRANTY.** Equipment manufactured by CTI Products, Inc. is warranted to be free from defects in material and workmanship for a period of ONE (1) YEAR from date of shipment to original purchaser. Under this warranty, our obligation is limited to repairing or replacing any equipment proved to be defective by our inspection within one year of sale to the original purchaser. This warranty shall not apply to equipment which has been repaired outside our plant in any way, so as to, in the judgment of CTI Products, Inc. affect its stability or reliability, nor which has been operated in a manner exceeding its specifications, nor which has been altered, defaced, or damaged by lightning.

**CUSTOMER REMEDIES.** In the event of a defect, malfunction, or failure to conform to specifications established by the seller during the period shown, the customer shall call CTI Products, Inc. to obtain a Return Authorization Number and return the product or module, shipping and insurance prepaid. CTI Products, Inc., will then at its option, either repair or replace the product or module and return it, shipping prepaid, or refund the purchase price thereof. On-site labor at the purchaser's location is not included in this warranty.

**EQUIPMENT NOT MANUFACTURED BY CTI Products, Inc.** Equipment not manufactured by CTI Products, Inc. is excluded from this warranty, but is subject to the warranty provided by its manufacturer, a copy of which will be supplied to you upon specific written request.

**NO OTHER WARRANTIES.** The foregoing constitutes the sole and exclusive remedy of the buyer and exclusive liability of CTI Products, Inc., and is in lieu of any and all other warranties expressed or implied or statutory as to merchantability, fitness for purpose sold, description, quality, productiveness or any other matter.

**NO LIABILITY FOR CONSEQUENTIAL DAMAGES.** WITHOUT LIMITING THE FOREGOING, IN NO EVENT SHALL CTI PRODUCTS, INC. OR ITS SUPPLIERS BE LIABLE FOR ANY DAMAGES WHATSOEVER (INCLUDING, WITHOUT LIMITATION, SPECIAL, INCIDENTAL OR CONSEQUENTIAL DAMAGES OR FOR LOSS OF BUSINESS PROFITS, BUSINESS INTERRUPTION, LOSS OF BUSINESS INFORMATION, OR OTHER PECUNIARY LOSS) ARISING OUT OF THE USE OF OR INABILITY TO USE CTI PRODUCTS, INC. EQUIPMENT BY PURCHASER OR OTHER THIRD PARTY, WHETHER UNDER THEORY OF CONTRACT, TORT (INCLUDING NEGLIGENCE), INDEMNITY, PRODUCT LIABILITY OR OTHERWISE, EVEN IF CTI PRODUCTS, INC. HAS BEEN ADVISED OF THE POSSIBILITY OF SUCH DAMAGES OR LOSSES. IN NO EVENT SHALL CTI PRODUCTS, INC.'S, LIABILITY EXCEED THE TOTAL AMOUNT PAID BY PURCHASER FOR THE EQUIPMENT GIVING RISE TO SUCH LIABILITY.

CTI Products, Inc.  
1211 W. Sharon Rd.  
Cincinnati, OH 45240

If you have questions about this equipment, call us at:  
(513) 595-5900. (8:30 to 5:00 Eastern)

Information contained in this document is subject to change without notice and does not represent a commitment on the part of CTI Products, Inc.

No part of this manual may be reproduced or transmitted in any form or by any means, electronic or mechanical, including photocopying and recording, for any purpose without the written permission of CTI Products, Inc.

Copyright 2007, CTI Products, Inc. All rights reserved.

MCN is a trademark of CTI Products, Inc. Other trademarks referenced are properties of their respective owners.

# TABLE OF CONTENTS

<b>Terminal Board</b> .....	<b>5</b>
INTRODUCTION.....	5
INSTALLATION.....	6
WIRING .....	8
LEDs .....	8
SPECIFICATIONS .....	9
SCHEMATIC AND LAYOUT .....	10
<b>Lamp Assembly</b> .....	<b>12</b>

**Manual Revisions:**

S2-61145-100      Original Release

# TERMINAL BOARD

## INTRODUCTION

The OTAL Terminal Board is an accessory to the On The Air Light (OTAL) Driver Assembly. It allows field connection of an On The Air Light, a Power Supply, and the relay contacts from the OTAL Driver Assembly.



*Figure 1 OTAL Terminal Board with Mounting Plate & Cover*

OTAL Terminal Board Part numbers are shown below:

Part Number	Description
S2-61192	OTAL TB Assembly (PCB & plastic base)
S2-61239	OTAL TB Mounting Plate & Cover Kit
81-10729	Power Supply, 120 Vac input, 24 Vdc output, 17W

---

## INSTALLATION

### *Mounting Plate & Cover Installation*



*Figure 2 OTAL TB Mounting Plate & Cover Kit*

The Mounting Plate & Cover Kit includes the following items:

- (1) Mounting Plate
- (2) Hex Threaded Standoffs
- (1) Plastic Cover
- (2) 6-32 x 1/4" Philips Head screws

If you ordered multiple kits, they will be bulk-packed.

To install the OTAL Terminal Board, Mounting Plate & Cover Kit:

1. Install OTAL Terminal Board over the threaded studs on the Mounting Plate
2. Install spacers on the exposed studs
3. Connect the wires to the terminal board & strain relieve with a tie-wrap.
4. Install the cover over the board using the screws provided. Be sure not to pinch any wires.
5. Mount the assembly to the mounting surface. Mounting holes will pass a #6 screw.



*Figure 3 Board & Spacers Installed*



*Figure 4 Wires Connected*



*Figure 5 Cover Installed*

## WIRING

### *J1 Power Connector*

Power can be applied through the DC Power Connector J1:

Pin	Function
Center	+ Supply In (typically 24VDC) (Paralleled with TB1-1)
Barrel	- Supply In (Typically Ground) (Paralleled with TB1-1)

*Table 1 – J1 Power Connector*

### *TB1*

Terminal Board TB1 is for the field wiring.

Pin	Function
1	+ Supply In (Typically +24 VDC) (Paralleled with J1-Center)
2	- Supply In (Typically Ground) (Paralleled with J1-Center)
3	OTAL Lamp +
4	OTAL Lamp -
5	+ Input from OTAL Relay Closure (from OTAL Driver Assembly)
6	- Input from OTAL Relay Closure (from OTAL Driver Assembly)

*Table 2 – TB1 Connections*

Power may be furnished through either J1 or TB1.

## LEDs

Two LEDs are present on the board to help in troubleshooting. The function is marked on the board. When the cover is installed the LEDs may be seen when looking straight on.

LED	Function
Power LED (Left)	On when power is present
OTAL	ON when the OTAL Relay Closure is present. (Power must also be present)

---

## SPECIFICATIONS

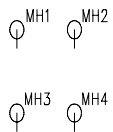
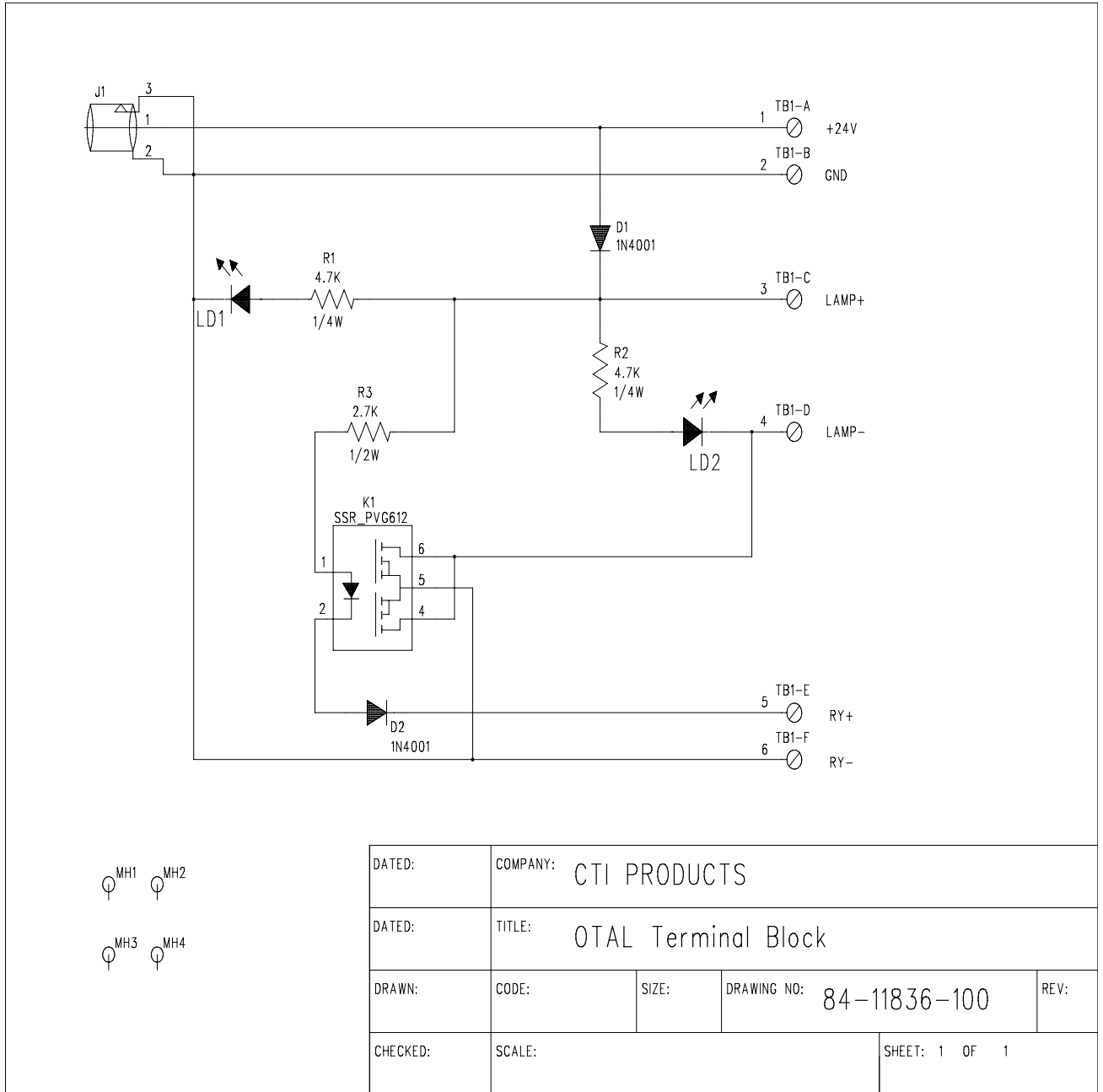
### *Inputs & Outputs*

Power In:	12 to 24 VDC (nominal) 1A maximum DC Connector: 5.5 mm barrel x 2.5 mm center pin, center positive
Lamp Drive Out	12 to 24 VDC (nominal – depending on power input) at 1A maximum
Control In:	Dry Closure or Open Collector/Drain Voltage level dependent upon power supply to board (12-24 VDC Nominal) 10 mA maximum

### *Physical*

Size:	4.8" x 2.8" x 1.4" (L x W x D)
-------	--------------------------------

**SCHEMATIC AND LAYOUT**



DATED:		COMPANY: CTI PRODUCTS			
DATED:		TITLE: OTAL Terminal Block			
DRAWN:		CODE:	SIZE:	DRAWING NO: 84-11836-100	REV:
CHECKED:		SCALE:			SHEET: 1 OF 1

**Figure 6 OTAL Terminal Board Schematic**

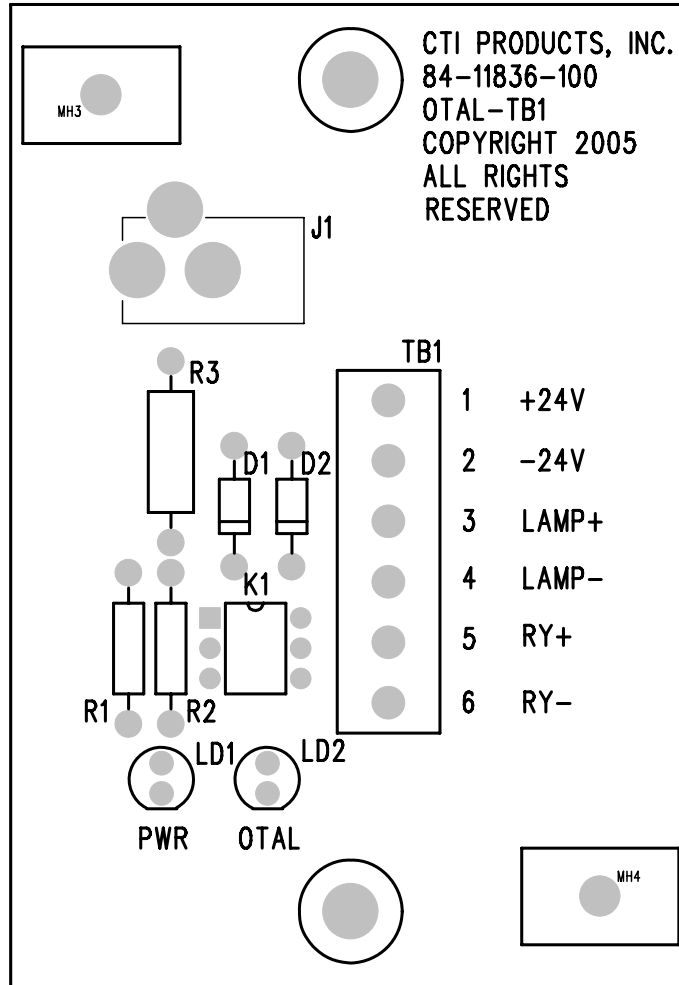


Figure 7 OTAL Terminal Board Layout

# LAMP ASSEMBLY

The following lamp assembly and accessories are available:

Part Number	Description
99-11844	Lamp Assembly, Red Polycarbonate Resin Lens, LED, IP20 Includes 300mm Pole and Right Angle Bracket
99-11845	Flange Mount
99-11846	Mounting Pole, 1 meter



*Figure 8 Lamp Assembly*



*Figure 10 300mm Pole and Right Angle Bracket*



*Figure 9 Flange Mount with Pole End*



